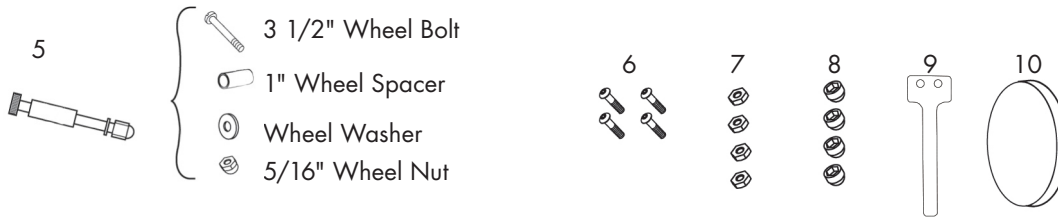
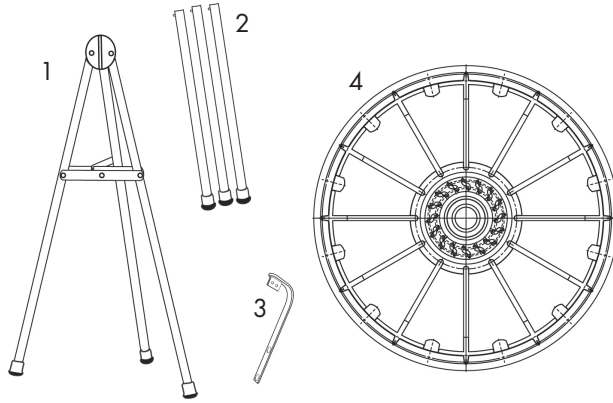


Product Parts

- 1 - Stand
- 2 - Extension Leg (x3)
- 3 - Pointer Arm
- 4 - Wheel
- 5 - Wheel Bolt Assembly
- 6 - 3/8" Pointer Bolt (x4)
- 7 - Small Nut (x4)
- 8 - Small Endcap (x4)
- 9 - Pointer
- 10 - Magnetic Center Cover



Display Set-Up

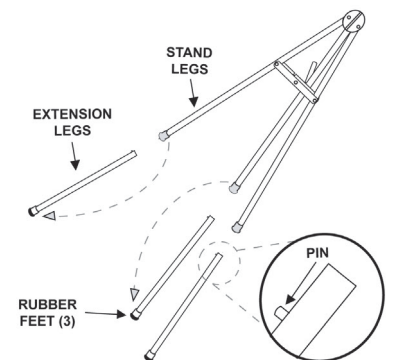
Step 1

Begin by removing all of the parts from the bag and place them on a clean, flat surface.

(You will need a 5/16" wrench, 1/2" wrench, 1/8" allen wrench and a 3/16" allen wrench for assembly.)

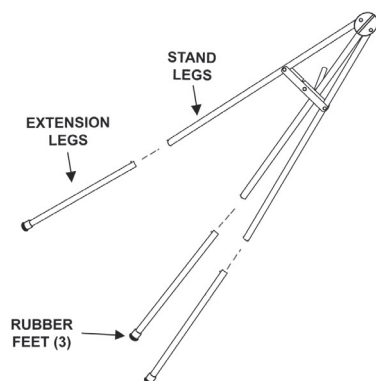
Step 2

Remove the rubber feet from the Stand (1) legs and place them on the Extension Legs (2) - on opposite ends from the pins.



Step 3

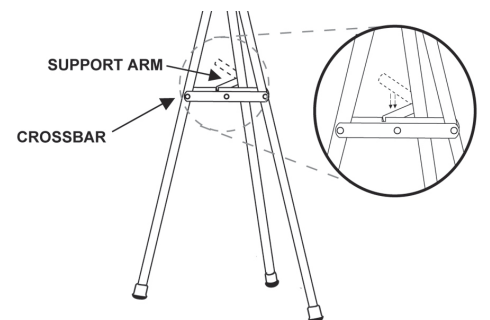
Insert Extension Legs (2) into the Stand (1) legs by pressing in each pin and rotating to secure it through the hole on each Stand (1) leg.



Step 4

Set the Stand (1) upright on its rubber feet (with or without the Extension Legs (2) - depending on preference).

Free the Support Arm and latch it securely into the slot on the Crossbar.



Display Set-Up Continued...

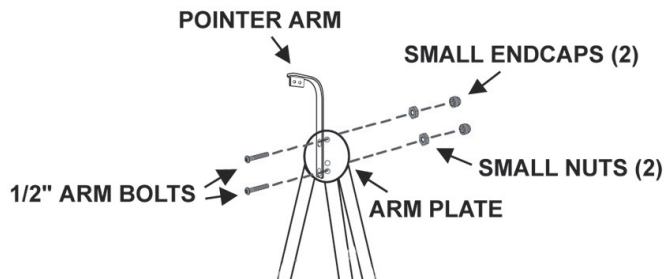
Step 5

Attach the Pointer Arm (3) to the arm plate (on the Stand (1)) using the two Pointer Bolts (6) and two of the Small Nuts (7).

Position the Pointer Arm (3) (with the curved end up, facing front) against the arm plate.

Line up the top and bottom holes and insert the Pointer Bolts (6) through the front of the Pointer Arm (3) and arm plate.

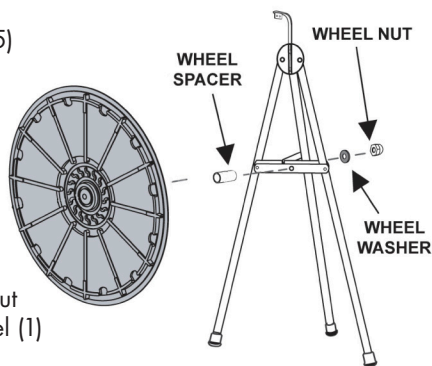
Screw the Small Nuts (7) onto the back of the Pointer Bolts (6) and tighten and cover with two Small End Caps (9).



Step 7

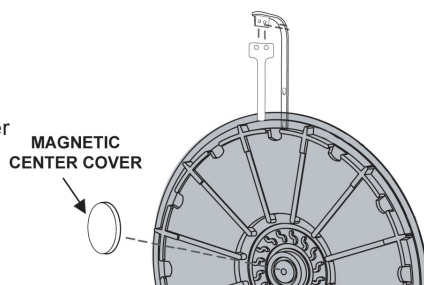
Slide the Wheel Spacer (5) onto the Wheel Bolt (5) and mount the Wheel (4) to the Stand (1) by inserting the Wheel Bolt (5) through both holes of the crossbar.

Secure with the Wheel Washer (5) and Wheel Nut (5). Tighten and the Wheel (1) should spin smoothly.



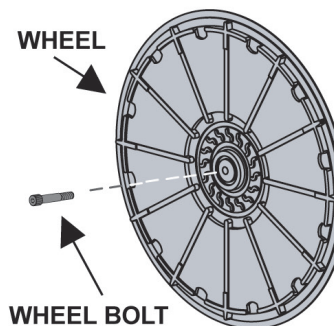
Step 9

Attach the Magnetic Center Cover (10) to the front end of the Wheel Bolt (5).



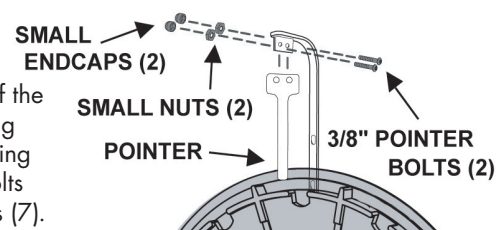
Step 6

Insert the 3 1/2 inch Wheel Bolt (5) all the way through the front center of the Wheel (4).



Step 8

Attach the Pointer (9) between the slots of the Pointer Arm (3) by lining up the holes and securing with the two Pointer Bolts (6) and two Small Nuts (7). Tighten and cover with the Small End Caps (8).



Step 10

Insert Graphics into the Wheel (1) slots and your display is ready to be used.



Storage

Place all product parts into shipping box and store in a cool, dry location.

Care

To clean hardware, wipe with damp cloth.

Wipe graphics with dry cloth.